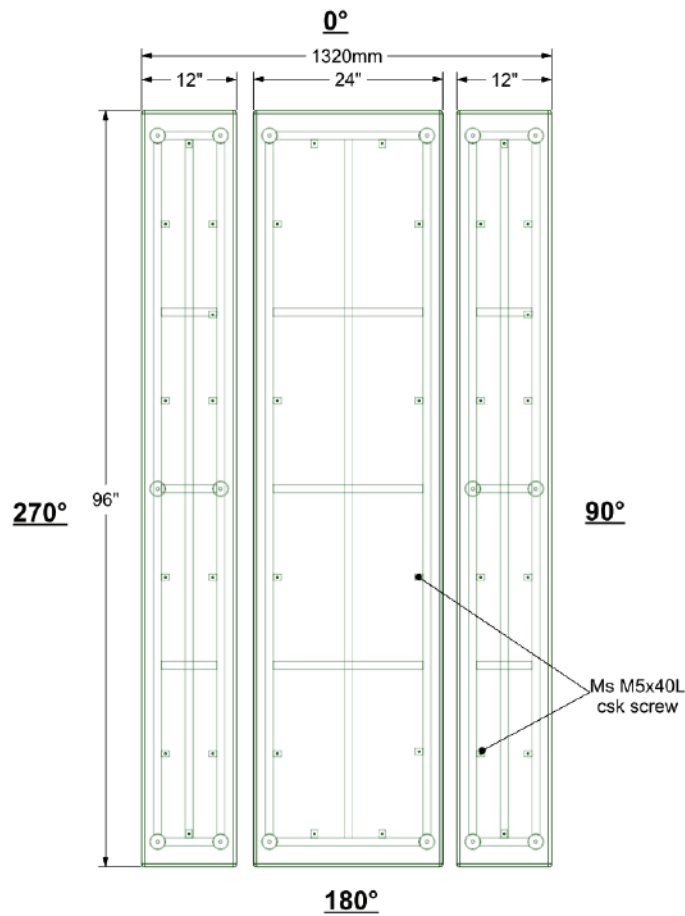
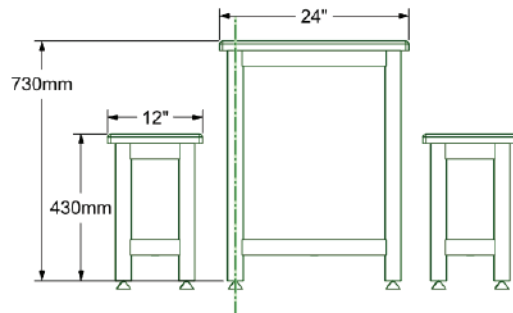
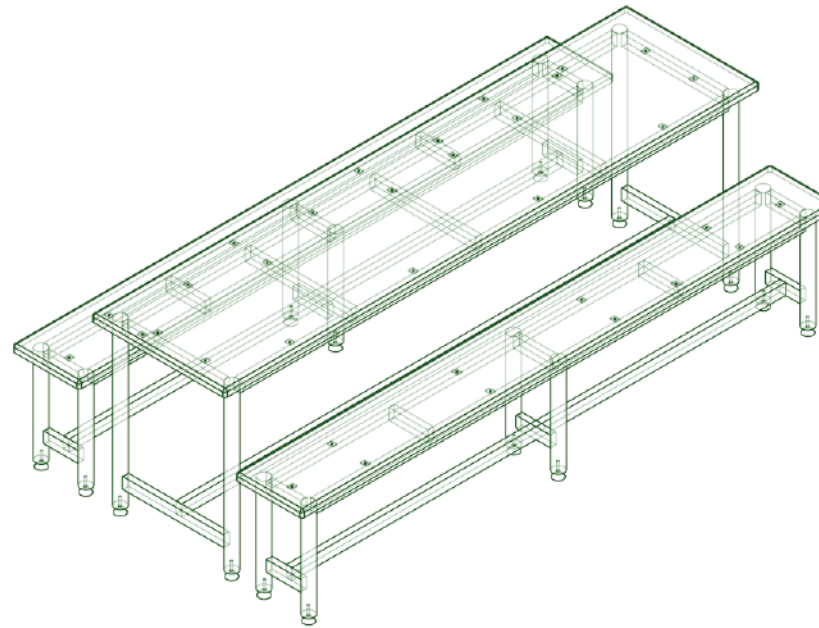


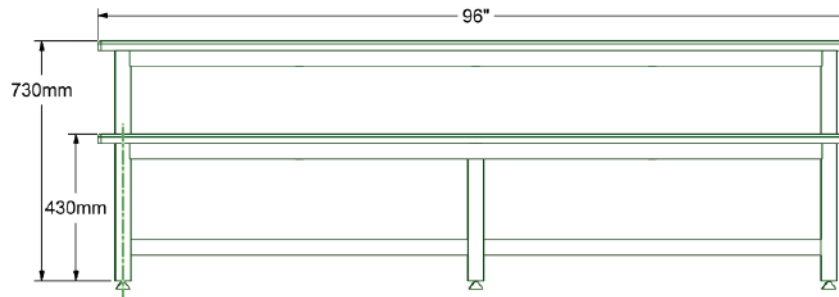
REMARK
 24"X96"X30mm TABLE
 12"X96"X30mm BENCH



**TOP VIEW
 (HIDDEN LINE)**



180° VIEW



90° VIEW

REMARK:
SO NO.
OVERALL
TOP COVER THICKNESS
BODY THICKNESS
BASE COVER THICKNESS
MATERIAL :
QTY:
COLOR :
PRODUCT WEIGHT: 241.83 KG
REV DATE DESCRIPTION

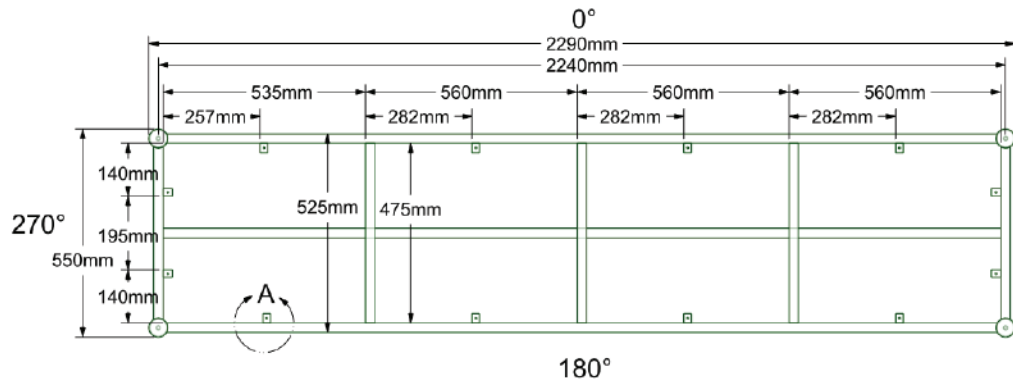
JONCAN™
 GRP SPECIALIST

JONCAN COMPOSITE SDN BHD
 No. 26, Jalan Selatan 3/3,
 Taman Perindustrian Ringan Pulai,
 81300 Skudai, Johor, Malaysia
 Sales Inquiry: +6012- 713 0306
 General Inquiry: +6012- 699 0306

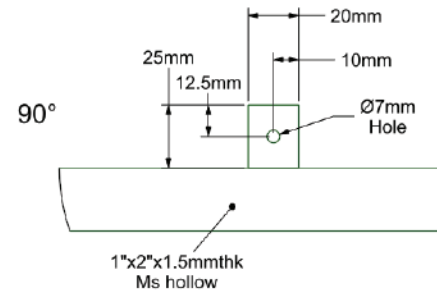
DWG NO: DWG-D5-8 SEATER
 DATE : 2/8/2023
 APPROVED BY: (ASSIGNED) SIZE: A2

SHT:	REV:
1/3	0

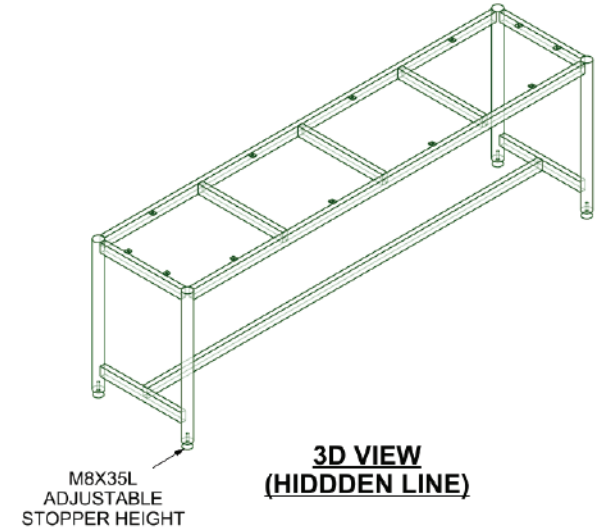
TABLE



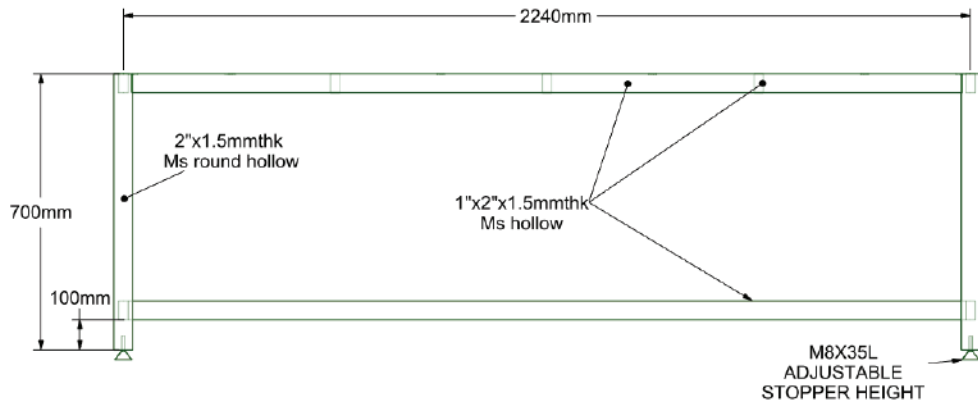
**TOP VIEW
(HIDDEN LINE)**



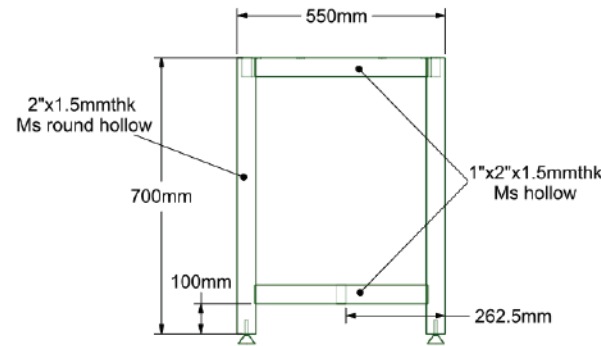
**DETAIL A
3MMTHK STEEL BRACKET**



**3D VIEW
(HIDDEN LINE)**



**180° VIEW
(HIDDEN LINE)**



**90° VIEW
(HIDDEN LINE)**

REMARK:		
SO NO.		
OVERALL		
TOP COVER THICKNESS		
BODY THICKNESS		
BASE COVER THICKNESS		
MATERIAL :		
QTY:		
COLOR :		
PRODUCT WEIGHT: 241.83 KG		
REV	DATE	DESCRIPTION

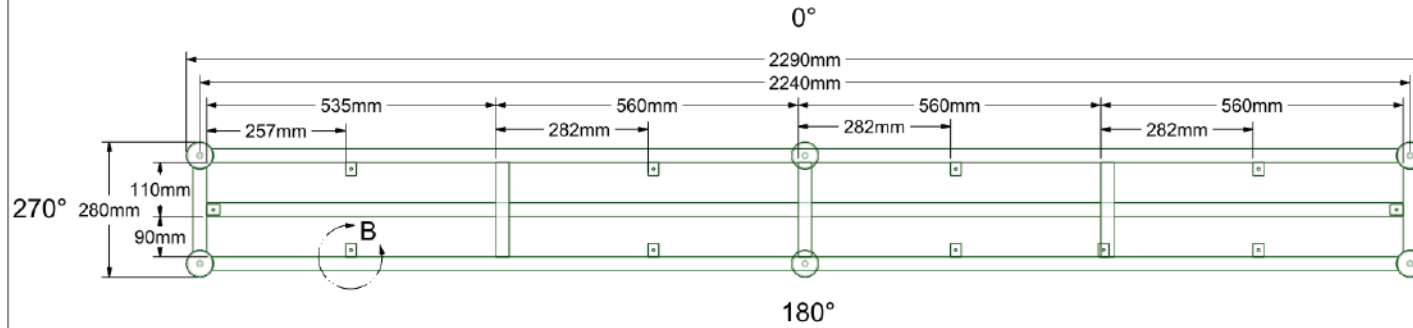
JONCAN™
GRP SPECIALIST

JONCAN COMPOSITE SDN BHD
No. 26, Jalan Selatan 3/3,
Taman Perindustrian Ringan Pulai,
81300 Skudai, Johor, Malaysia
Sales Inquiry: +6012- 713 0306
General Inquiry: +6012- 699 0306

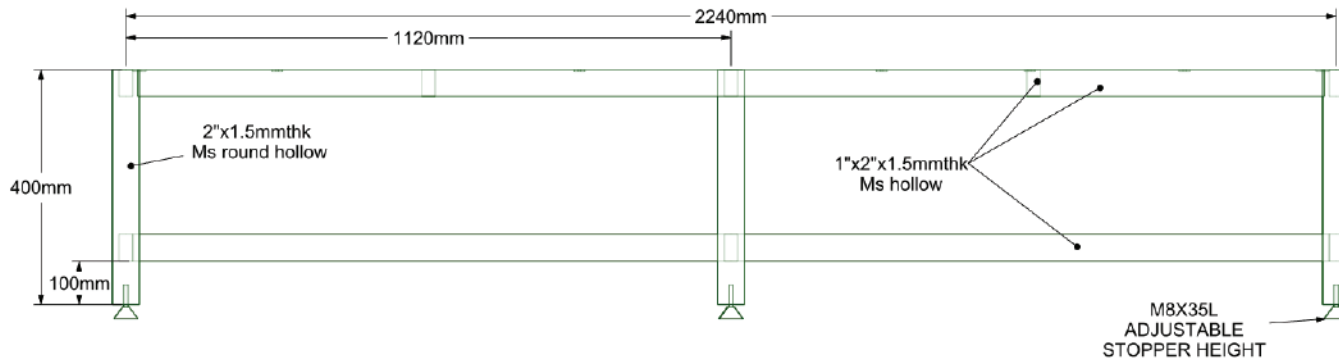
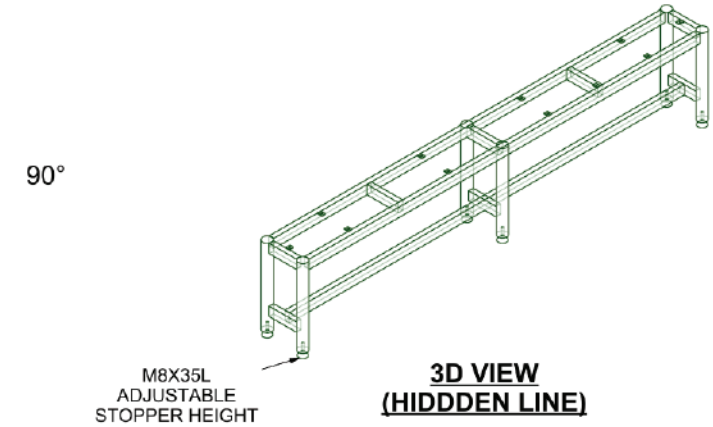
DWG NO: DWG-D5-8 SEATER
DATE : 2/8/2023
APPROVED BY: (ASSIGNED) SIZE: A2

SHT:	REV:
2/3	0

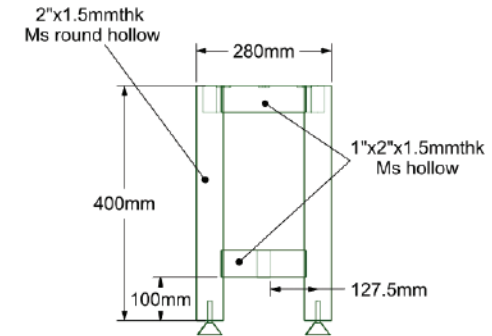
KERUSI



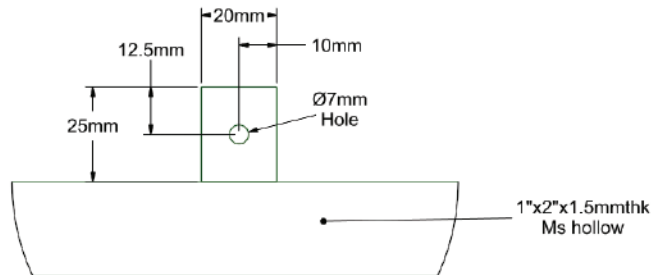
**TOP VIEW
(HIDDEN LINE)**



**180° VIEW
(HIDDEN LINE)**



**90° VIEW
(HIDDEN LINE)**



**DETAIL B
3MMTHK STEEL BRACKET**

REMARK:		
60 NO.		
OVERALL		
TOP COVER THICKNESS		
BODY THICKNESS		
BASE COVER THICKNESS		
MATERIAL :		
QTY:		
COLOR :		
PRODUCT WEIGHT:		
241.83 KG		
REV	DATE	DESCRIPTION

JONCAN™
GRP SPECIALIST

JONCAN COMPOSITE SDN BHD
No. 26, Jalan Selatan 3/3,
Taman Perindustrian Ringan Pulau,
81300 Skudai, Johor, Malaysia
Sales Inquiry: +6012- 713 0306
General Inquiry: +6012- 699 0306

DWG NO: DWG-D5-8 SEATER
DATE : 2/8/2023
APPROVED BY: (ASSIGNED) SIZE: A2

SHT:	REV:
3/3	0